

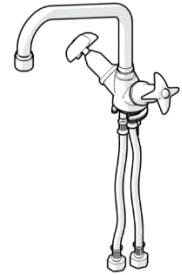
Product Installation Guidelines

Document No.: 001.00.70.17
Version 1, 4 November 2022, Page 1 of 4

Hob Twin Mixer Sets with Upswept Spout

PRODUCT CODES:

- 49843 (Vandal Resistant)
- 83240 (Ezy-Wash)
- 83245 (Ezy-Wash)



SPECIFICATIONS

- Vandal resistant handle with locking ring to secure the handle to the spindle which may only be removed using the key provided. (Vandal Resistant)
- Contra rotating handles to ensure ease of use. (Ezy-Wash)
- Smooth round design to facilitate easy cleaning and help to reduce dirt and bacterial growth. (Ezy-Wash)
- Chrome plate finish for easy cleaning and durability

IMPORTANT: All taps are tested in accordance with AS/NZS 3718 and leave our premises in good working order.

TECHNICAL DATA

Inlet	1/2" BSP – Female (Flexi-hoses)	
Outlet	Aerator	
Headwork	Ceramic Disc	
Working Pressure Range (kPa)	Min	50
	Max	500
Working Temperature Range (°C)	Min	5
	Max	80
Nominal Flow Rate (LPM)	5.2	
Construction	Brass	
Finish	Chrome	

NOTE: Galvin Engineering continually strive to improve their products. Specifications may change without notice. Higher temperature or pressures could result in premature failure and void the manufacturer's warranty.

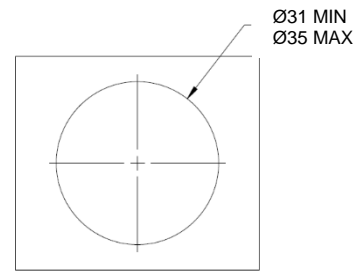
TOOLS REQUIRED

- Adjustable spanner
- Hex key
- Power drill

PRE-INSTALLATION

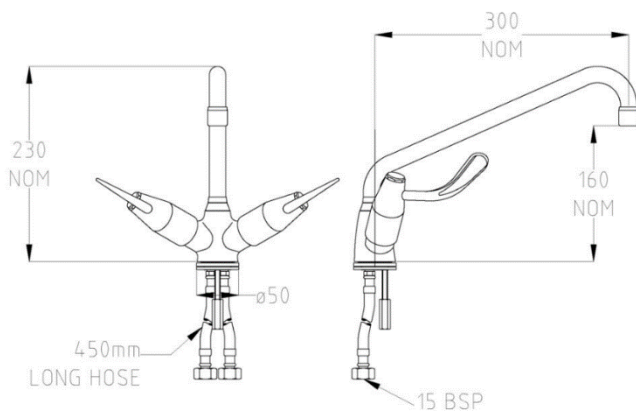
- If the mounting hole does not already exist, mark out and drill the hole in the bench, as shown in the rough-in dimensions.

Note: Before installation, all lines must be flushed. We recommend that a line strainer be installed prior to the CliniLever® Sink Mixer to eliminate any foreign material.

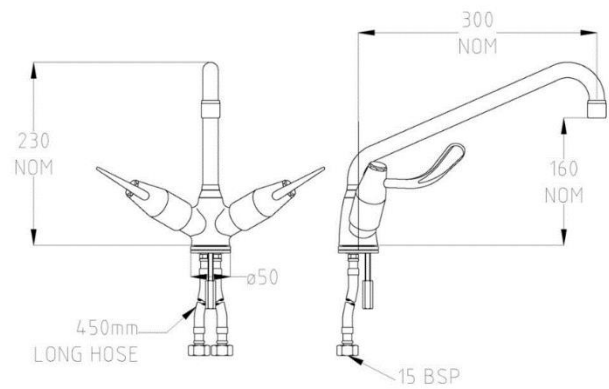


Rough-In Dimensions

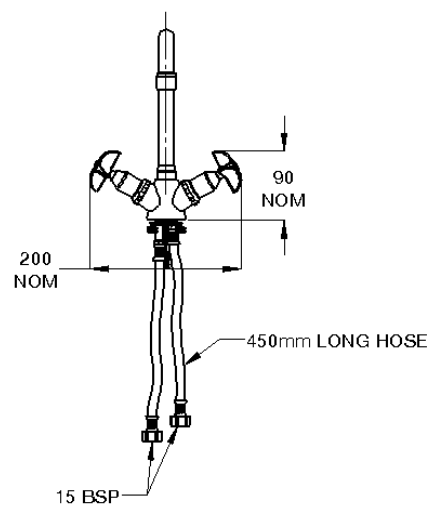
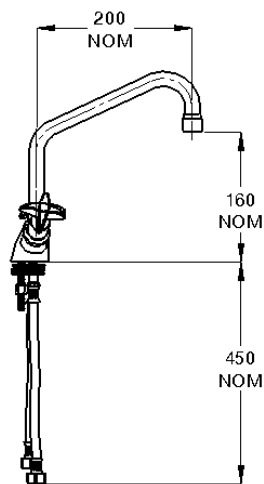
DIMENSIONS



83240



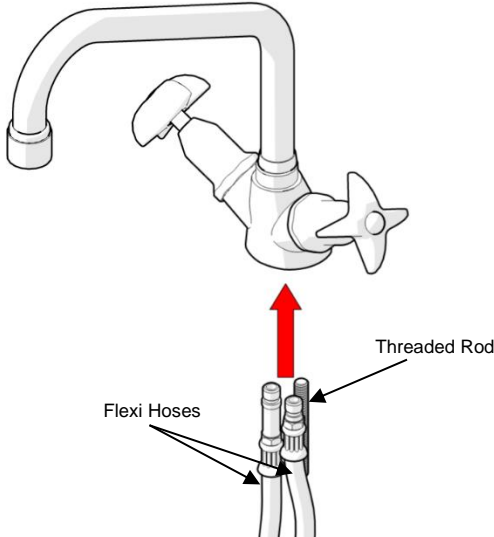
83245



49843

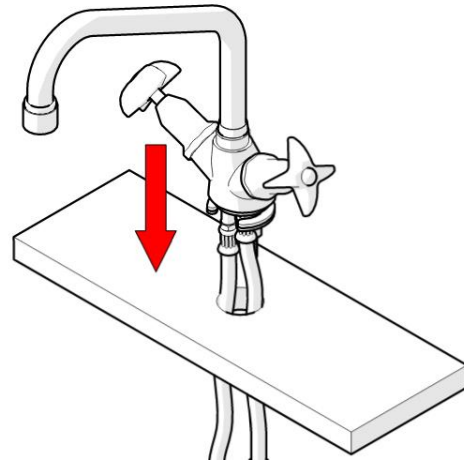
INSTALLATION

INSTALLATION COMPLIANCE: Galvin Engineering products must be installed in accordance with these installation instructions and in accordance with AS/NZS 3500, the PCA and your local regulatory requirements. Water and/or electrical supply conditions must also comply to the applicable national and/or state standards. Failing to comply with these provisions shall void the product warranty and may affect the performance of the product.



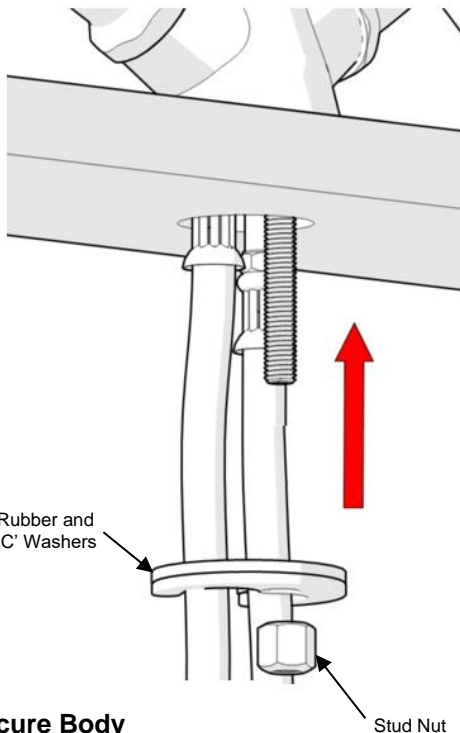
1. Fit Mounting Hardware and Hoses

- Fit the two supplied flexi hoses into the body
- Fully screw threaded rod as shown.



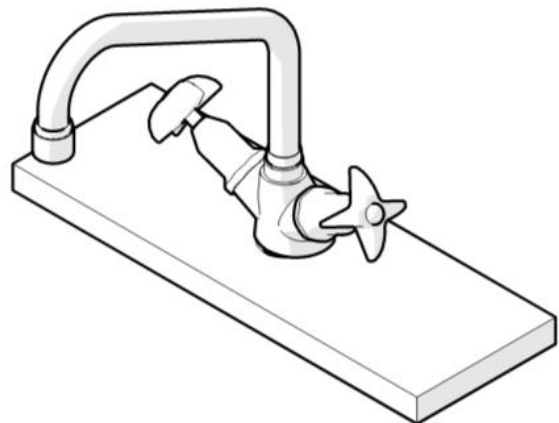
2. Fit Mixer Body

- Fit the mixer through the drilled hole in the bench.



3. Secure Body

- Secure body with supplied stud nut, ensuring to use rubber and 'C' washers.



4. Connect Water and Test

- Connect the flexi hoses to the mains water supply
- Test the tap for leaks and correct operation.

TROUBLESHOOTING

PROBLEM	CAUSE	RECTIFICATION
Tap is leaking	Tap incorrectly installed	Follow the installation steps above when fitting the tap.
Tap has inconsistent flow	Blocked flow regulator	Follow the instructions above to remove flow regulator from the body and check for debris. Install an inline strainer to stop further blockages.
Tap moves on bench	Insufficiently tightened	Follow the steps above in relation to tightening the installation.
Water temperature is opposite to the handle markings	Inlet hoses connected incorrectly	Switch the hoses connection on the inlets
	Inlet hoses connected to wrong isolating valves	Switch the hoses connection on the isolating valves

WARRANTY

The warranty set forth herein is given expressly and is the only warranty given by the Galvin Engineering Pty Ltd. With respect to the product, Galvin Engineering Pty Ltd makes no other warranties, express or implied. Galvin Engineering Pty. Ltd. hereby specifically disclaims all other warranties, express or implied, including but not limited to the implied warranties of merchantability and fitness for a particular purpose.

Galvin Engineering Pty Ltd products are covered under our manufacturer’s warranty available for download from www.galvinengineering.com.au Galvin Engineering Pty Ltd expressly warrants that the product is free from operational defects in workmanship and materials for the warranty period as shown on the schedule in the manufacturer’s warranty. During the warranty period, Galvin Engineering will replace or repair any defective products manufactured by Galvin Engineering without charge, so long as the terms of the Manufacturer’s warranty are complied with.

The remedy described in the first paragraph of this warranty shall constitute the sole and exclusive remedy for breach of warranty, and Galvin Engineering Pty Ltd shall not be responsible for any incidental, special or consequential damages, including without limitation, lost profits or the cost of repairing or replacing other property which is damaged if this product does not work properly, other costs resulting from labour charges, delays, vandalism, negligence, fouling caused by foreign material, damage from adverse water conditions, chemical, electrical or any other circumstances over which Galvin Engineering has no control. This warranty shall be invalidated by any abuse, misuse, misapplication, improper installation or improper maintenance or alteration of the product.